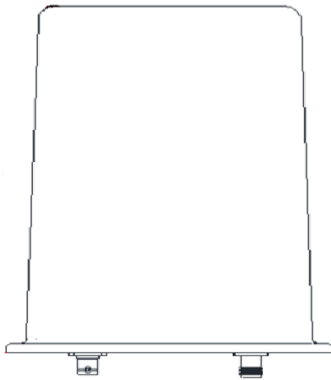


Blade Omnidirectional Antenna

PN: MEC-BOA-136174-380520



Product Overview

The blade omnidirectional antennas feature medium gain, low VSWR, and a consistent antenna factor. They excel in noise rejection and offer excellent scalability options. With reduced side-lobes and a compact design, they are ideal for emission testing, high-density AP clusters, and radio co-location applications. These rugged antennas can handle high power levels and are available with either SMA or N-Type connectors based on customer preference. Customized mechanical mounting options are also offered.

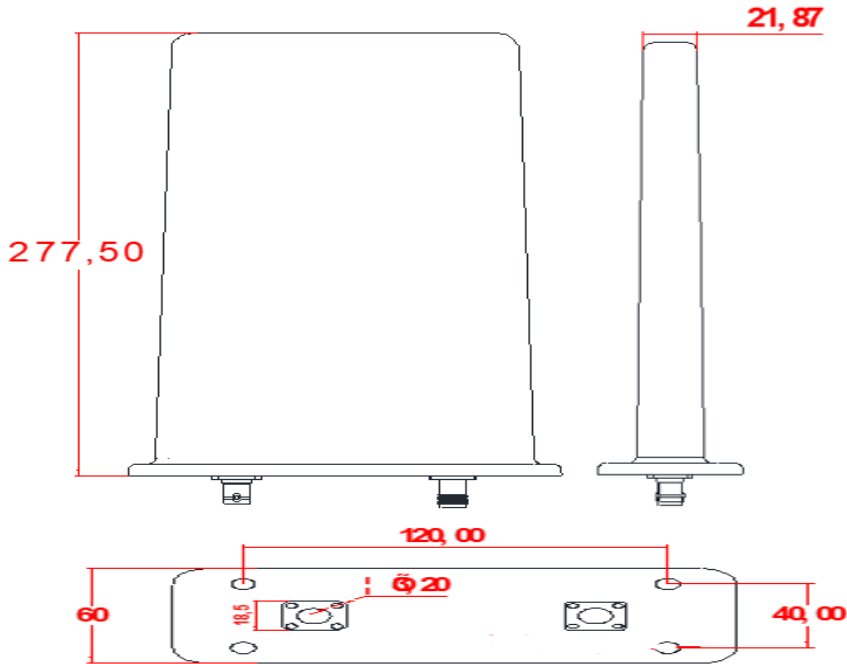
➤ Performance Data:

Parameter	Value
Frequency (MHz)	136-174MHz 380-520MHz
Band (MHz)	38/140MHz
sGain (dBi)	-8dBi@136-174MHz -2dBi@380-520MHz
VSWR	≤3
Impedance (Ω)	50 Ω

➤ Structure:

Parameter	Value
Material	FRP
Weight(kg)	≤2.3kg
Temperature	-55°C~ + 75°C
wind rating	350 (m/s)
Connector	BNC(F)/TNC(F)

➤ Dimensions:



NOTE: All dimensions are in mm