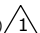
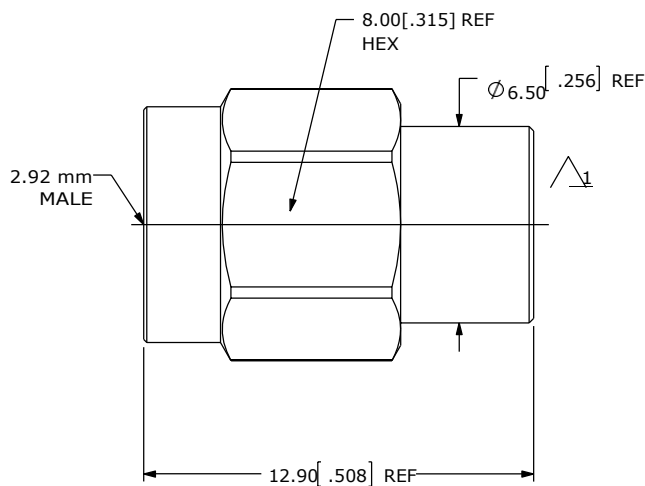
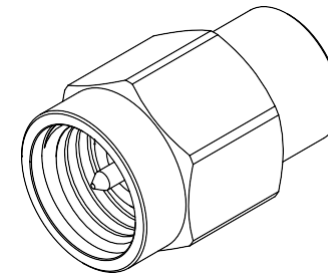


NOTES:



1. ELECTRICAL:
 - 1.1 IMPEDANCE: 50 Ω
 - 1.2 FREQUENCY RANGE: DC ~ 40 GHZ
 - 1.3 VSWR: 1.25 MAX @ 40 GHZ
 - 1.4 AVERAGE POWER: ≤2 WATTS(@25°C DERATES LINEARLY TO 10% @ +125°C) 
2. MECHANICAL:
 - DURABILITY: ≥500 CYCLES
3. ENVIRONMENTAL:
 - TEMPERATURE RANGE: -55°C TO +125°C
4. MATERIAL AND FINISH:
 - 4.1 BODY: STAINLESS STEEL, PASSIVATED
 - 4.2 CENTER CONTACT: BRASS, GOLD PLATED
 - 4.3 DIELECTRIC: ENGINEERING PLASTIC, NATURAL

UNITS: MILLIMETERS[INCHES]



CUSTOMER OUTLINE DRAWING

ALL OTHER SHEETS ARE FOR INTERNAL USE ONLY

<p>UNLESS OTHERWISE SPECIFIED, DIMENSIONS ARE IN MILLIMETERS. AND TOLERANCES ARE: DECIMALS ANGLES X.X: ±0.25 [.0100] ± 3° X.XX: ±0.05 [.0020] X.XXX: ±0.025 [.0010]</p>	<p>PROPRIETARY NOTE THIS DOCUMENT CONTAINS INFORMATION CONFIDENTIAL AND PROPRIETARY TO MEC ELECTRONICS & COMMUNICATION PVT LTD. AND SHALL NOT BE REPRODUCED OR TRANSFERRED TO OTHER DOCUMENTS OR DISCLOSED TO OTHERS OR USED FOR ANY PURPOSE OTHER THAN THAT WHICH IT WAS OBTAINED WITHOUT THE EXPRESSED WRITTEN CONSENT OF MEC.</p>	 <p>MEC Electronics and Communication Pvt Ltd RF Products Professional Vendor Connectors - Cable Assemblies - Adaptors - Customizations E-mail: info@mec.org.pk Website: www.mec.org.pk</p>	
<p>DRAWN: JY REVIEWED: OL</p>	<p>DESC: 2.92 mm, MALE, 50 OHMS, TERMINATOR</p>		
<p>APPROVED: LXP REFERENCE: N/A</p>	<p>PN: MEC-TER-050-2.92mm(M)</p>		
<p>FILE PATH: S:\SW\Load\292 To TM\LST-292-P-TM-NP-XXX-W2\LST-292-P-TM-NP-HPP-W2_ASM.SLDDRW</p>		<p>SCALE: NTS REV. 1</p>	<p>SHEET 1 OF 1</p>