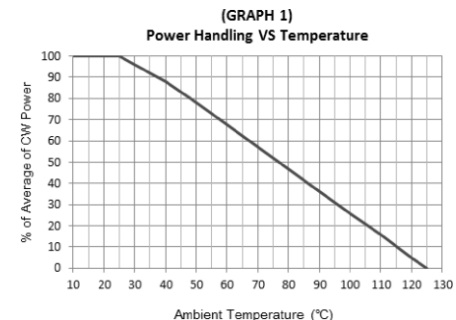
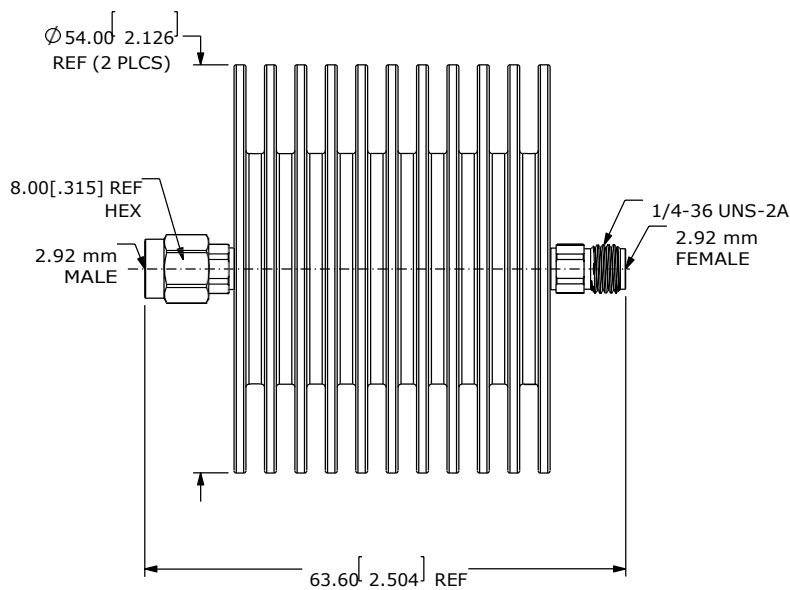
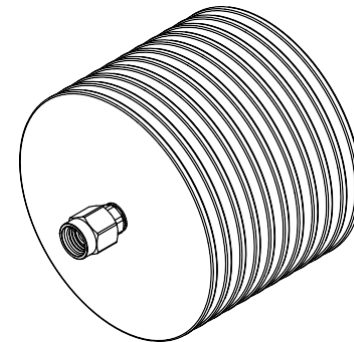


NOTES:

1. ELECTRICAL:
 - 1.1 IMPEDANCE: 50Ω
 - 1.2 FREQUENCY RANGE: DC~40 GHz
 - 1.3 VSWR: 1.40 MAX @ 40 GHz
 - 1.4 ATTENUATION: SEE TABLE 1
 - 1.5 AVERAGE POWER: 20W@ 25 °C DERATED LINEARLY TO 0 WATTS @ 125°C (SEE GRAPH 1)
 - 1.6 PEAK POWER: 0.2KW(5μs PULSE WIDTH, 1.25% DUTY CYCLE)
2. ENVIRONMENTAL:
 - TEMPERATURE RANGE: -55°C TO +125°C
3. MECHANICAL:
 - DURABILITY: ≥500 CYCLES
4. MATERIAL AND FINISH:
 - 4.1 BODY: STAINLESS STEEL, PASSIVATED
 - 4.2 COUPLING NUT: STAINLESS STEEL, PASSIVATED
 - 4.3 CENTER CONTACT: BERYLLIUM COPPER & BRASS, GOLD PLATED
 - 4.4 DIELECTRIC: ENGINEERING PLASTIC, NATURAL
 - 4.5 HOUSING: ALUMINUM BLACKEN ANODIZE

UNITS: MILLIMETERS[INCHES]



CUSTOMER OUTLINE DRAWING

ALL OTHER SHEETS ARE FOR INTERNAL USE ONLY

4	40	±3.0
3	30	±3.0
2	20	±3.0
1	10	+4.0/-3.0
ITEM	ATTENUATION (dB) ^①	DEVIATIONS (dB)

STANDARD NOMINAL VALUES AND DEVIATIONS

UNLESS OTHERWISE SPECIFIED, DIMENSIONS ARE IN MILLIMETERS. AND TOLERANCES ARE:
 DECIMALS ANGLES
 X.X: ± 0.25 [.0100] ± 3°
 X.XX: ± 0.125 [.0050]
 X.XXX: ± 0.025 [.0010]

PROPRIETARY NOTE
 THIS DOCUMENT CONTAINS INFORMATION CONFIDENTIAL AND PROPRIETARY TO MEC ELECTRONICS & COMMUNICATION PVT LTD. AND SHALL NOT BE REPRODUCED OR TRANSFERRED TO OTHER DOCUMENTS OR DISCLOSED TO OTHERS OR USED FOR ANY PURPOSE OTHER THAN THAT WHICH IT WAS OBTAINED WITHOUT THE EXPRESSED WRITTEN CONSENT OF MEC.



MEC Electronics and Communication Pvt Ltd
 RF Products Professional Vendor
 Connectors - Cable Assemblies - Adaptors - Customizations
 E-mail: info@mec.org.pk Website: www.mec.org.pk

DESC: 2.92 mm (MALE) TO 2.92 mm (FEMALE), 10 dB, 30 WATTS, ATTENUATOR

PN: MEC-ATTA-010dB-030-2.92mm(M)-2.92(F)