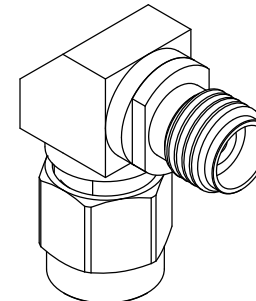
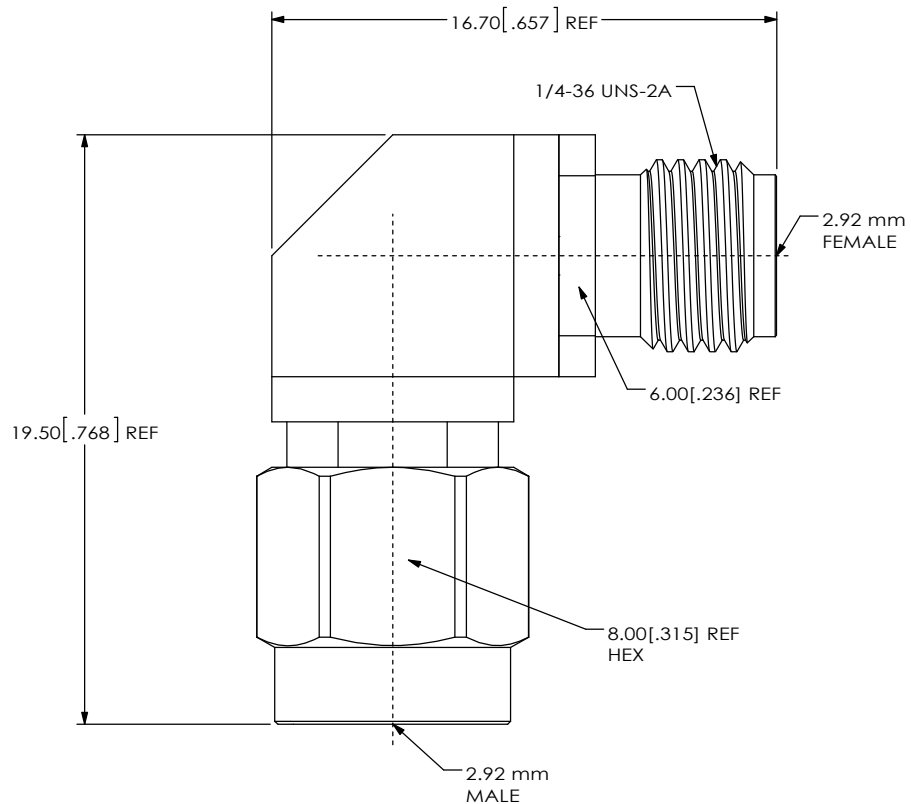


NOTES:

1. ELECTRICAL:
 - 1.1 IMPEDANCE: 50 Ω
 - 1.2 FREQUENCY RANGE: DC ~ 40 GHz
 - 1.3 VSWR: 1.25 MAX @ 40 GHz
 - 1.4 INSERTION LOSS: ≤ 0.51 dB @ 40 GHz
 - 1.5 INSULATION RESISTANCE: 5000 MΩ MIN
 - 1.6 DIELECTRIC WITHSTANDING VOLTAGE: 1000 VRMS MIN AT SEA LEVEL
2. MECHANICAL:
 - DURABILITY: ≥500 CYCLES
3. ENVIRONMENTAL:
 - TEMPERATURE RANGE: -55 °C TO +165 °C
4. MATERIAL AND FINISH:
 - 4.1 BODY: STAINLESS STEEL, PASSIVATED
 - 4.2 COUPLING NUT: STAINLESS STEEL, PASSIVATED
 - 4.3 CENTER CONTACT: BERYLLIUM COPPER, GOLD PLATED
 - 4.4 DIELECTRIC: ENGINEERING PLASTIC, NATURAL

UNITS: MILLIMETERS[INCHES]



CUSTOMER OUTLINE DRAWING

ALL OTHER SHEETS ARE FOR INTERNAL USE ONLY

UNLESS OTHERWISE SPECIFIED,
DIMENSIONS ARE IN MILLIMETERS.
AND TOLERANCES ARE:
DECIMALS ANGLES
X.X: ±0.25 [.0100] ±3°
X.XX: ±0.05 [.0020]
X.XXX: ±0.025 [.0010]

PROPRIETARY NOTE
THIS DOCUMENT CONTAINS INFORMATION
CONFIDENTIAL AND PROPRIETARY TO
HUALINK, INC. AND SHALL NOT BE REPRODUCED
OR TRANSFERRED TO OTHER DOCUMENTS OR
DISCLOSED TO OTHERS OR USED FOR ANY
PURPOSE OTHER THAN THAT WHICH IT WAS
OBTAINED WITHOUT THE EXPRESSED WRITTEN
CONSENT OF HUALINK, INC.



MEC Electronics and Communication Pvt Ltd
RF Products Professional Vendor
Connectors - Cable Assemblies - Adaptors - Customizations
E-mail: info@mec.org.pk Website: www.mec.org.pk

DESC: 2.92 mm (MALE) TO 2.92 mm (FEMALE),
RIGHT ANGLE, ADAPTOR

PN: MEC-ADT-402-2.92mm(M)-2.92mm(F)

SCALE: NTS REV. 0 SHEET 1 OF 1