

NOTES:

1.ELECTRICAL:

- 1.1 IMPEDANCE: 50 Ω
- 1.2 FREQUENCY RANGE: DC ~ 40 GHZ
- 1.3 VSWR: 1.20 MAX @ 40 GHZ
- 1.4 INSERTION LOSS: ≤ 0.38 DB @ 40 GHZ
- 1.5 INSULATION RESISTANCE: 5000 MΩ MIN
- 1.6 DIELECTRIC WITHSTANDING VOLTAGE: 500 VRMS MIN AT SEA LEVEL

2. ENVIRONMENTAL:

TEMPERATURE RANGE: -55°C TO +85°C

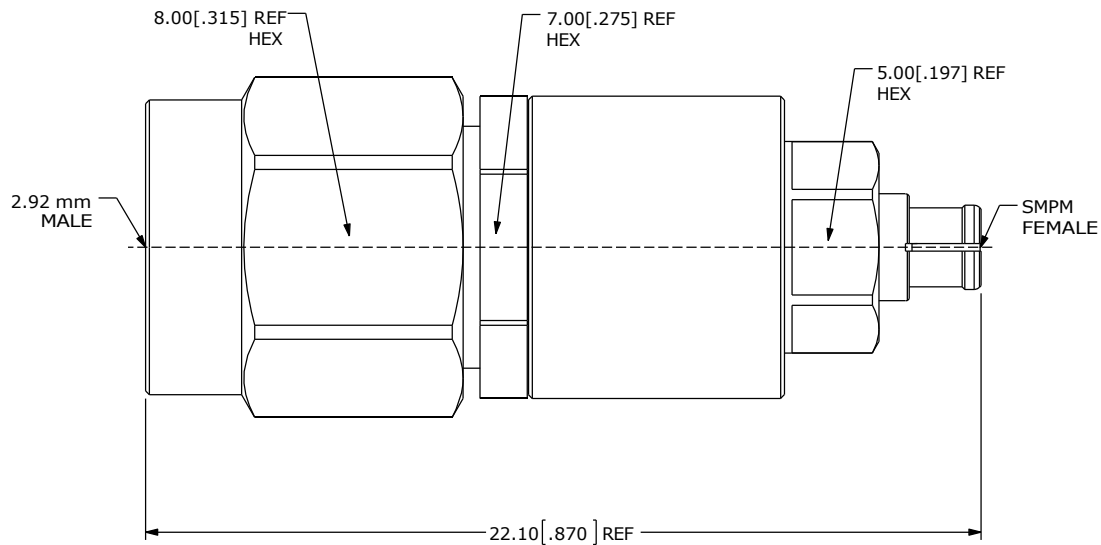
3. MECHANICAL:

DURABILITY: 2.92 mm MALE, ≥1000 CYCLES
 SMPM FEMALE, ≥500 CYCLES FOR SMOOTH BORE
 SMPM FEMALE, ≥100 CYCLES FOR FULL DETENT

4. MATERIAL AND FINISH:

BODY: 2.92 mm MALE, STAINLESS STEEL, PASSIVATED
 SMPM FEMALE, BERYLLIUM COPPER, GOLD PLATED
 CENTER CONTACT: BERYLLIUM COPPER, GOLD PLATED
 DIELECTRIC: ENGINEERING PLASTIC, NATURAL

UNITS: MILLIMETERS[INCHES]



CUSTOMER OUTLINE DRAWING

ALL OTHER SHEETS ARE FOR INTERNAL USE ONLY

UNLESS OTHERWISE SPECIFIED, DIMENSIONS ARE IN MILLIMETERS. AND TOLERANCES ARE: DECIMALS ANGLES X.X: ±0.25 [.0100] ±3° X.XX: ±0.05 [.0020] X.XXX: ±0.025 [.0010]	PROPRIETARY NOTE THIS DOCUMENT CONTAINS INFORMATION CONFIDENTIAL AND PROPRIETARY TO MEC ELECTRONICS & COMMUNICATION PVT LTD. AND SHALL NOT BE REPRODUCED OR TRANSFERRED TO OTHER DOCUMENTS OR DISCLOSED TO OTHERS OR USED FOR ANY PURPOSE OTHER THAN THAT WHICH IT WAS OBTAINED WITHOUT THE EXPRESSED WRITTEN CONSENT OF MEC.	MEC Electronics & Communication Pvt Ltd RF Products Professional Vendor Connectors - Cable Assemblies - Adaptors - Customizations E-mail: info@mec.org.pk Website: www.mec.org.pk		
		DRAWN: REVIEWED: APPROVED: REFERENCE: N/A	DESC: 2.92 mm (MALE) TO SMPM (FEMALE), STRAIGHT, THROUGH, ADAPTOR PN: MEC-ADT-401-2.92mm(M)-SMPM(F)	
		SCALE: NTS	REV. 0X	SHEET 1 OF 1

