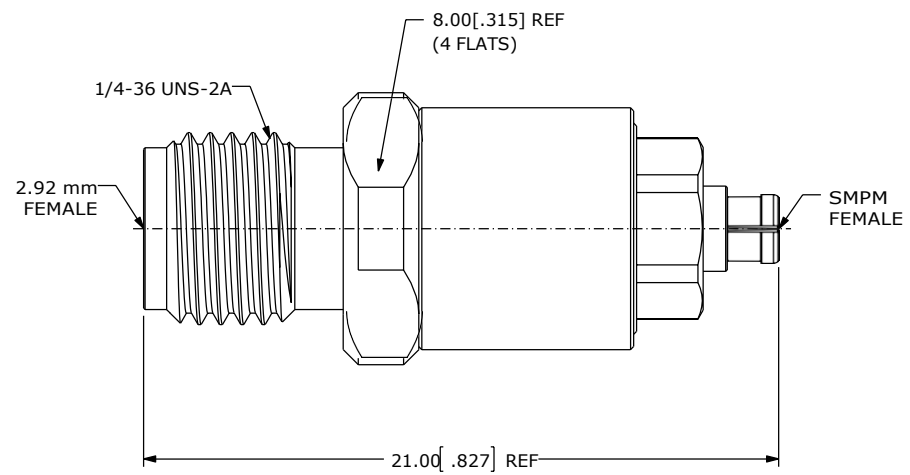
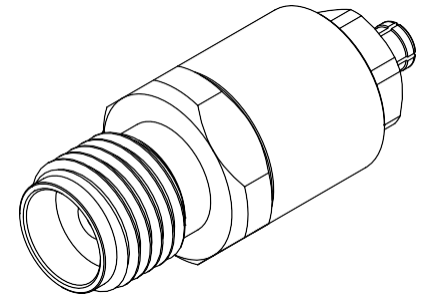


NOTES:


1. ELECTRICAL:
 - 1.1 IMPEDANCE: 50 Ω
 - 1.2 FREQUENCY RANGE: DC ~ 40 GHZ
 - 1.3 VSWR: 1.20 MAX @ 40 GHZ
 - 1.4 INSERTION LOSS: ≤ 0.38 DB @ 40 GHZ
 - 1.5 INSULATION RESISTANCE: 5000 MΩ MIN
 - 1.6 DIELECTRIC WITHSTANDING VOLTAGE: 500 VRMS MIN AT SEA LEVEL
2. ENVIRONMENTAL:
 - TEMPERATURE RANGE: -55°C TO +165°C
3. MECHANICAL:
 - DURABILITY: 2.92 mm FEMALE, ≥500 CYCLES
 SMPM FEMALE, ≥500 CYCLES FOR SMOOTH BORE
 SMPM FEMALE, ≥100 CYCLES FOR FULL DETEN
4. MATERIAL AND FINISH:
 - BODY: 2.92 mm FEMALE, STAINLESS STEEL, PASSIVATED
 SMPM FEMALE, BERYLLIUM COPPER, GOLD PLATED
 - CENTER CONTACT: BERYLLIUM COPPER, GOLD PLATED
 - DIELECTRIC: ENGINEERING PLASTIC, NATURAL

UNITS: MILLIMETERS[INCHES]



CUSTOMER OUTLINE DRAWING

ALL OTHER SHEETS ARE FOR INTERNAL USE ONLY

<p>UNLESS OTHERWISE SPECIFIED, DIMENSIONS ARE IN MILLIMETERS. AND TOLERANCES ARE:</p> <p>DECIMALS ANGLES</p> <p>X.X: ± 0.25 [.0100] ± 3°</p> <p>X.XX: ± 0.05 [.0020]</p> <p>X.XXX: ± 0.025 [.0010]</p>	<p>PROPRIETARY NOTE</p> <p>THIS DOCUMENT CONTAINS INFORMATION CONFIDENTIAL AND PROPRIETARY TO MEC ELECTRONICS & COMMUNICATION PVT LTD. AND SHALL NOT BE REPRODUCED OR TRANSFERRED TO OTHER DOCUMENTS OR DISCLOSED TO OTHERS OR USED FOR ANY PURPOSE OTHER THAN THAT WHICH IT WAS OBTAINED WITHOUT THE EXPRESSED WRITTEN CONSENT OF MEC.</p>	 <p>MEC Electronics and Communication Pvt Ltd RF Products Professional Vendor Connectors - Cable Assemblies - Adaptors - Customizations E-mail: info@mec.org.pk Website: www.mec.org.pk</p>
		<p>DESC: 2.92 mm (FEMALE) TO SMPM (FEMALE), STRAIGHT, THROUGH, ADAPTOR</p>
		<p>PN: MEC-ADT-401-2.92mm(F)-SMPM(F)</p>
		<p>⊕ ≡ SCALE: NTS REV. 0 SHEET 1 OF 1</p>